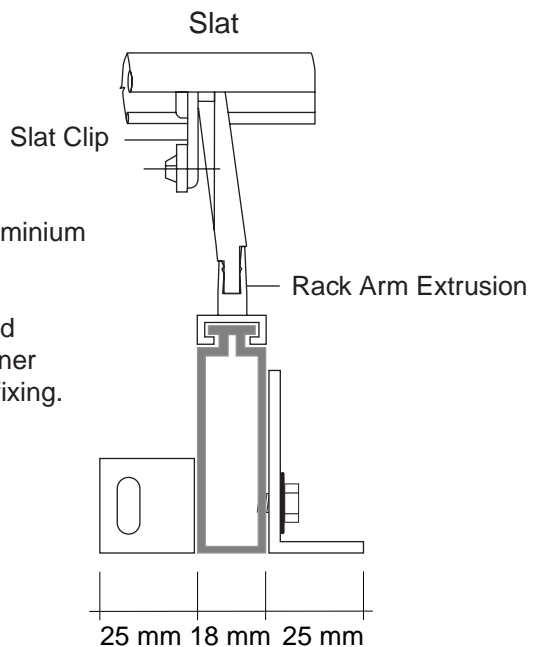


Fixing brackets in aluminium
angle 50 x 25 x 3mm

Brackets fitted top and
bottom of guide stiffener
to provide adequate fixing.



R80 STIFFENER - PLAN & SECTION VIEW

Dwg. No. V30201

Rack arm fitted to stiffener in section & plan views for use with R80 non-retractable louvre blind. This style of fitting is necessary where rack arms cannot be fitted to the window mullions or glazing bars and need to be self supporting over their entire length. Maximum recommended spacing between rack arms 900mm. Maximum recommended length of stiffener 3000mm.