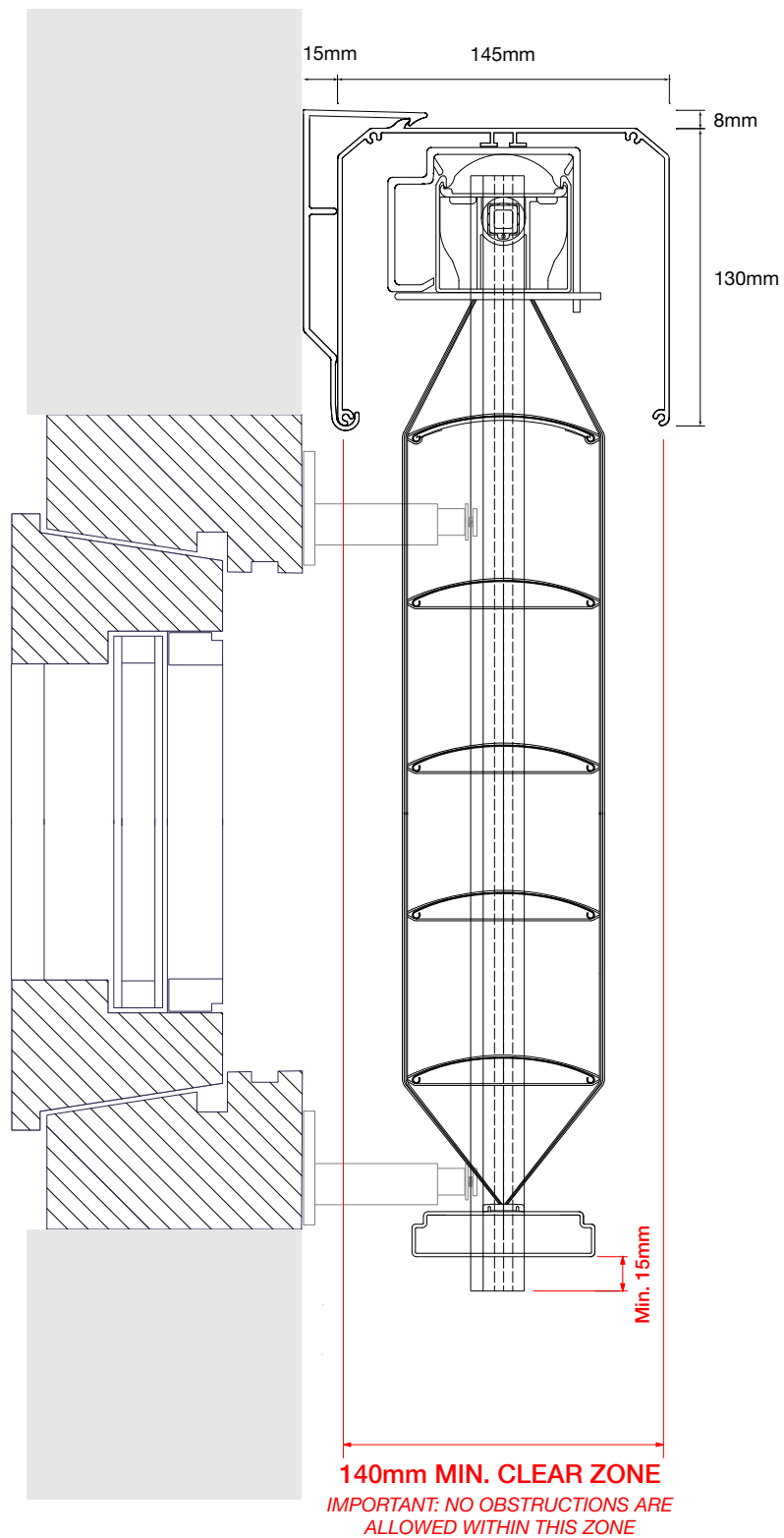


Type 80 (a6) - External Venetian Blind

Face Fitted Example with Cassette B Pelmet & Extruded Guide Rails

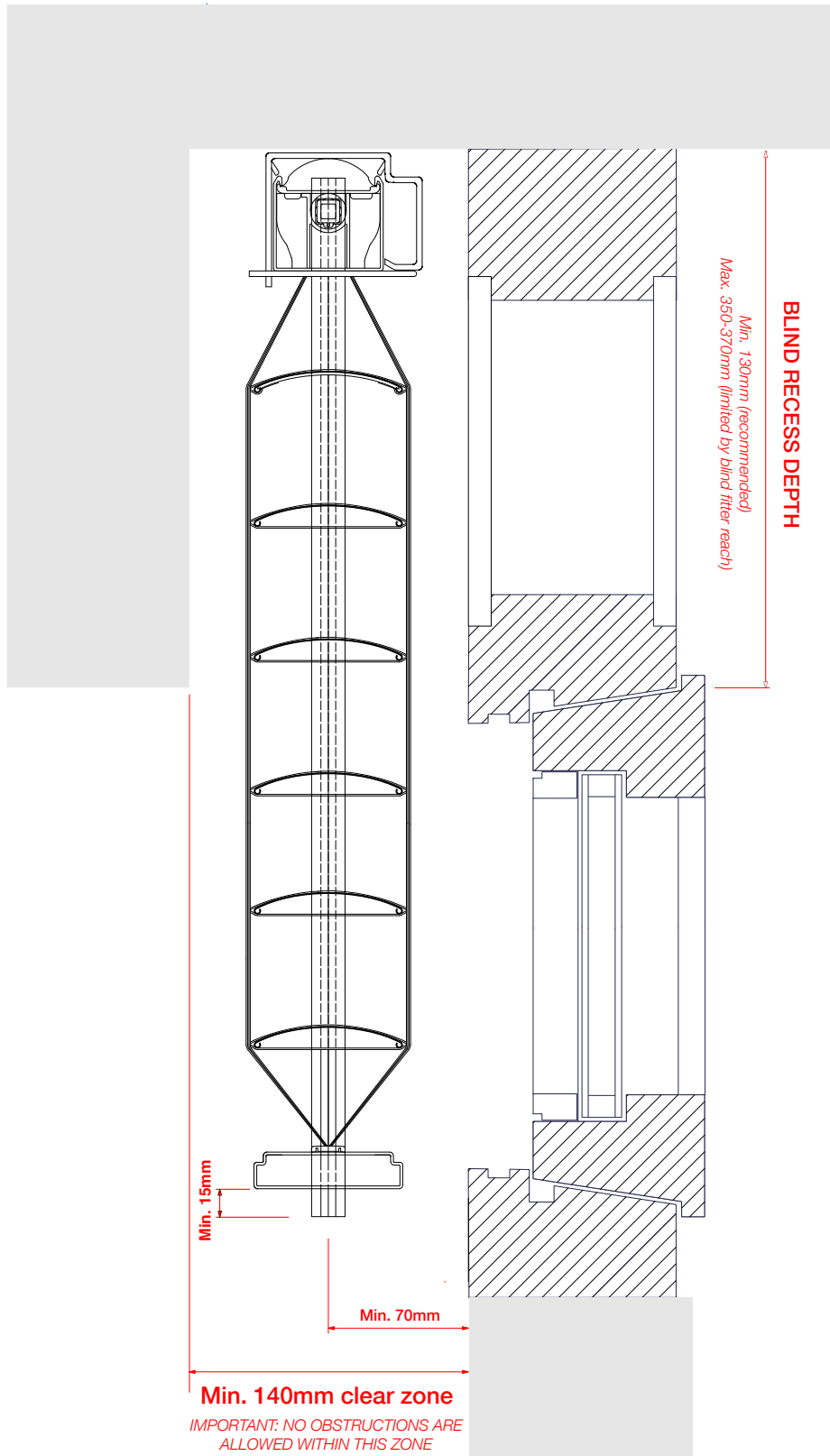
Ref: VA0001a



Type 80 (a6) - External Venetian Blind

Recess Fitted Example with Extruded Guide Rails

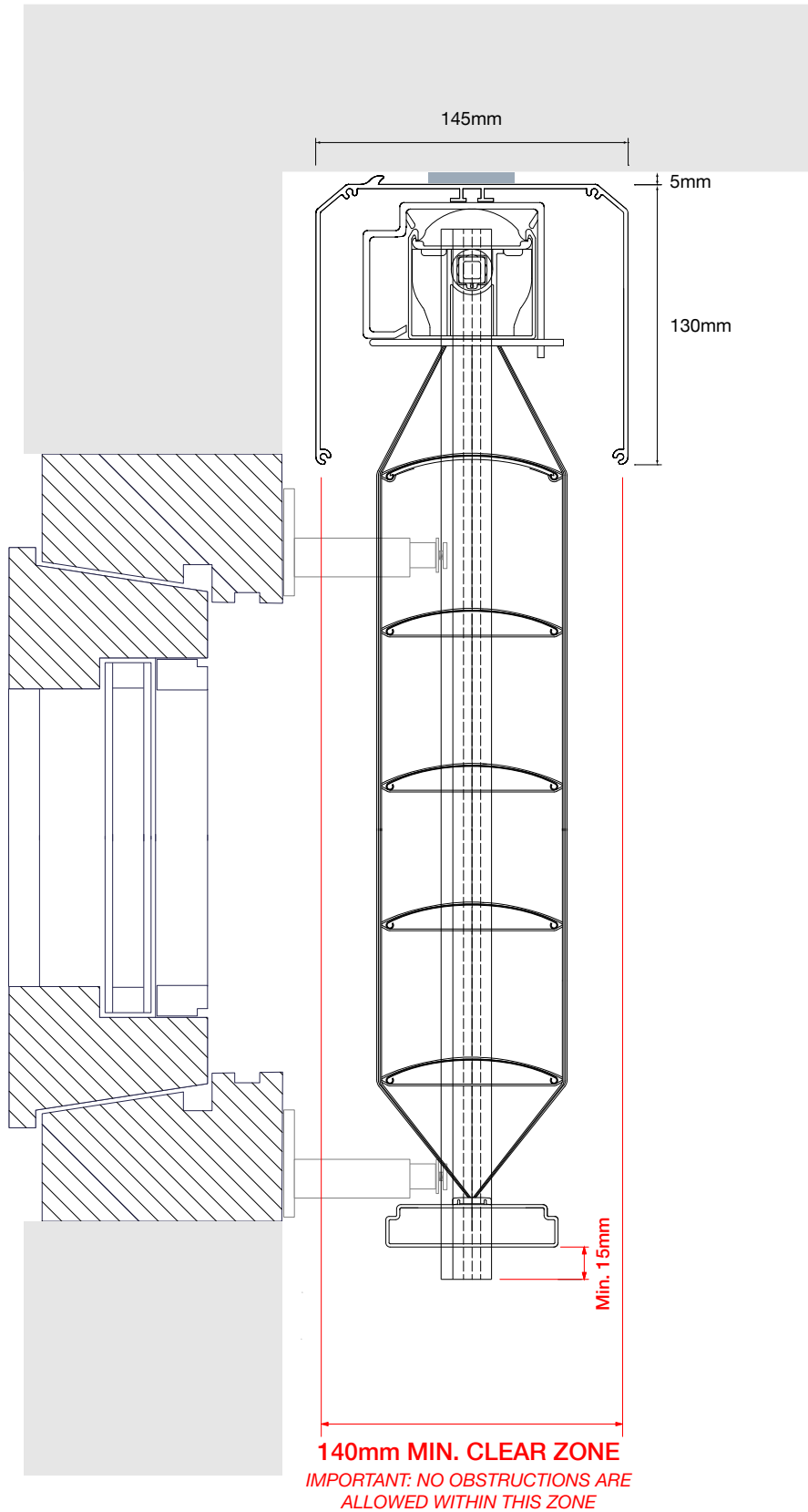
Ref: VA0002a



Type 80 (a6) - External Venetian Blind

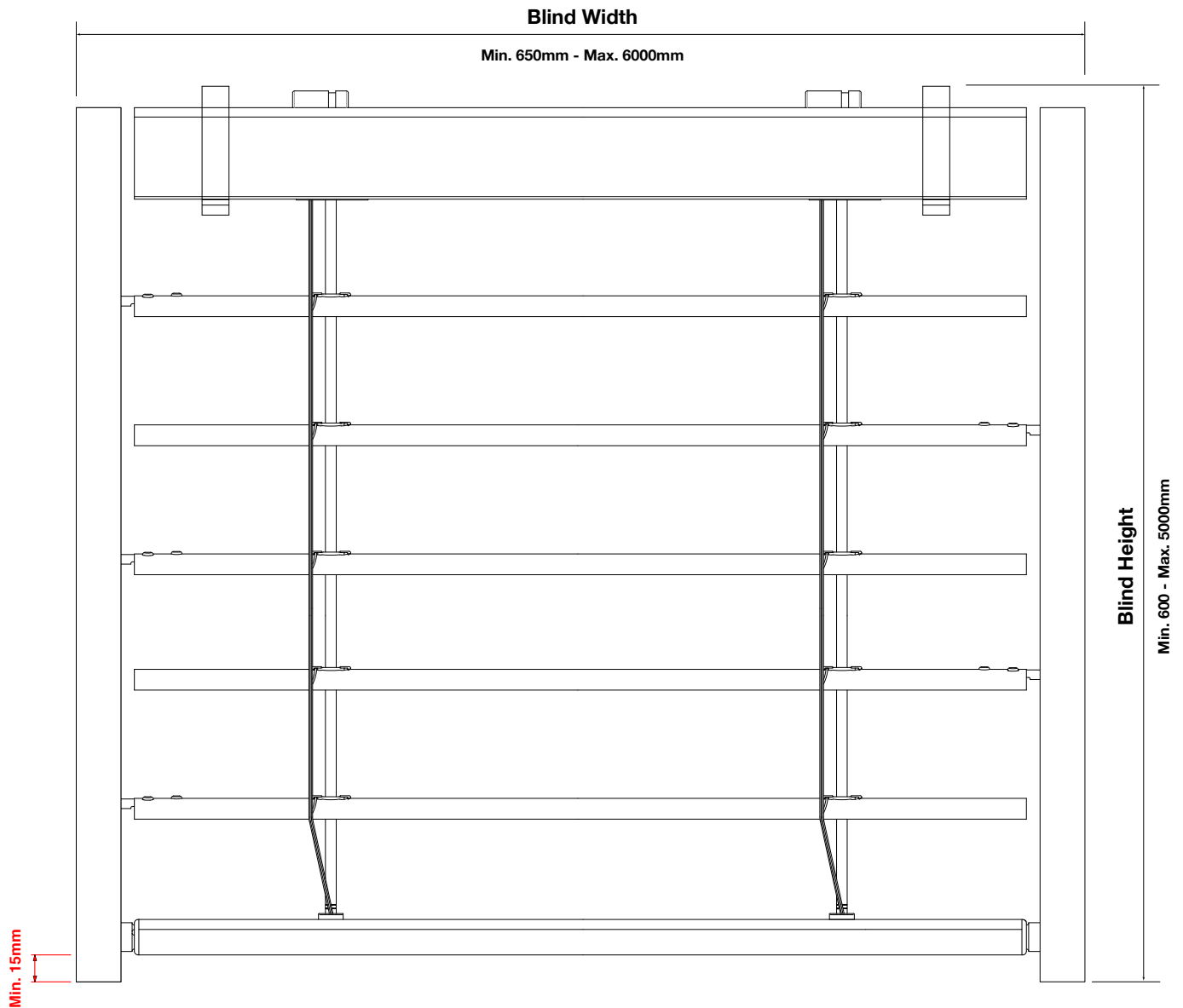
Top Fitted Example with Cassette B Pelmet & Extruded Guide Rails

Ref: VA0003a



Type 80 (a6) - External Venetian Blind

Elevation of Blind Dimensions & Clearance Allowance
Ref: VA0010a



Additional Information

Blind Width - Min. 650mm to Max. 6000mm

Blind Height - Min. 600mm to Max. 5000mm

Limited to Max. Blind Area - 20m²

Type 80a blinds are recommended to be fitted with intermediate wire/s when blind width are as below:

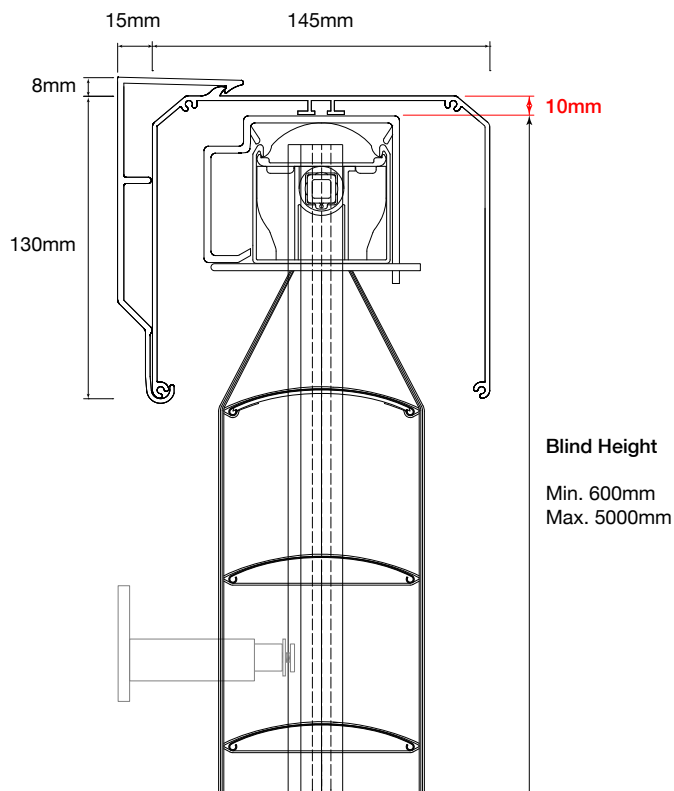
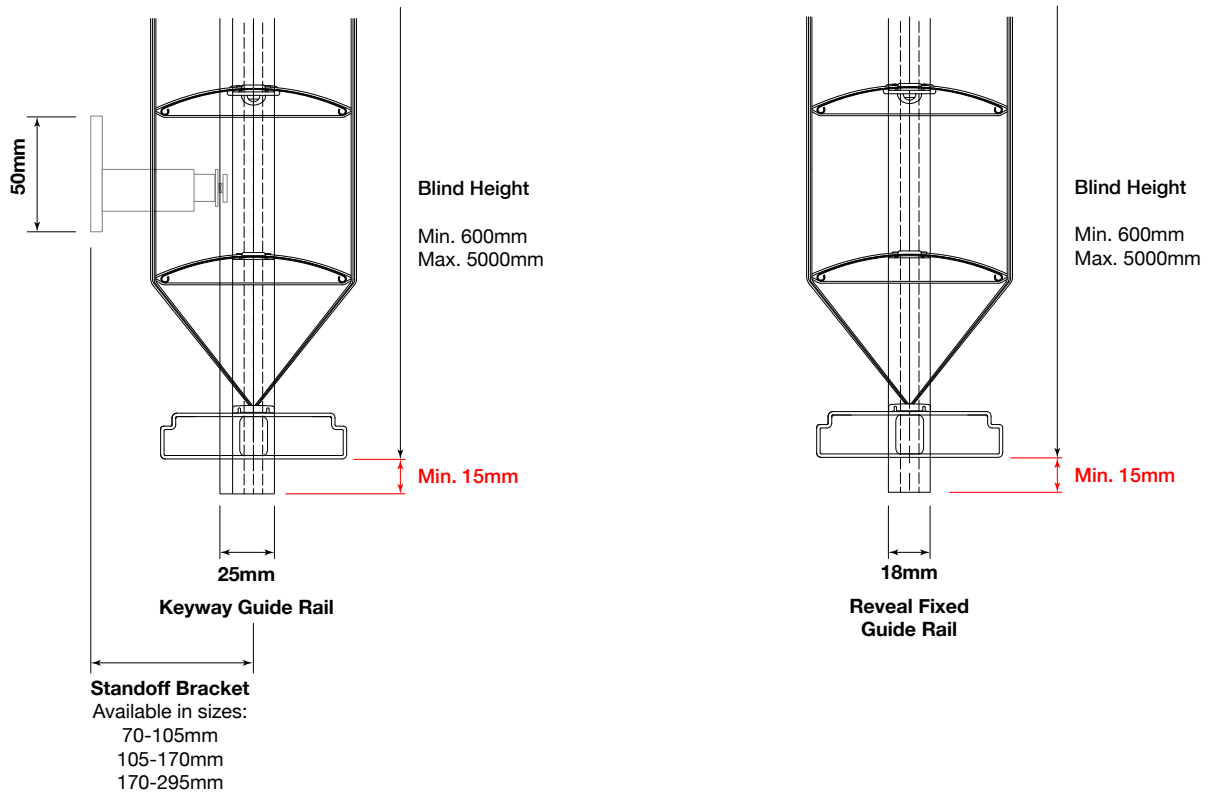
Blind width 4000-4999mm should have 1 x central intermediate guide wire (as standard).

Blinds widths 5000-6000mm should have 2 x (evenly spaced) intermediate guide wires (as standard).

Please confirm intermediate wire position/s in writing with production sizes.

Type 80 (a6) - External Venetian Blind

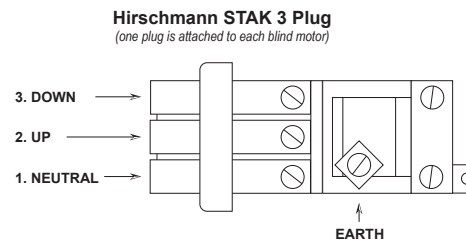
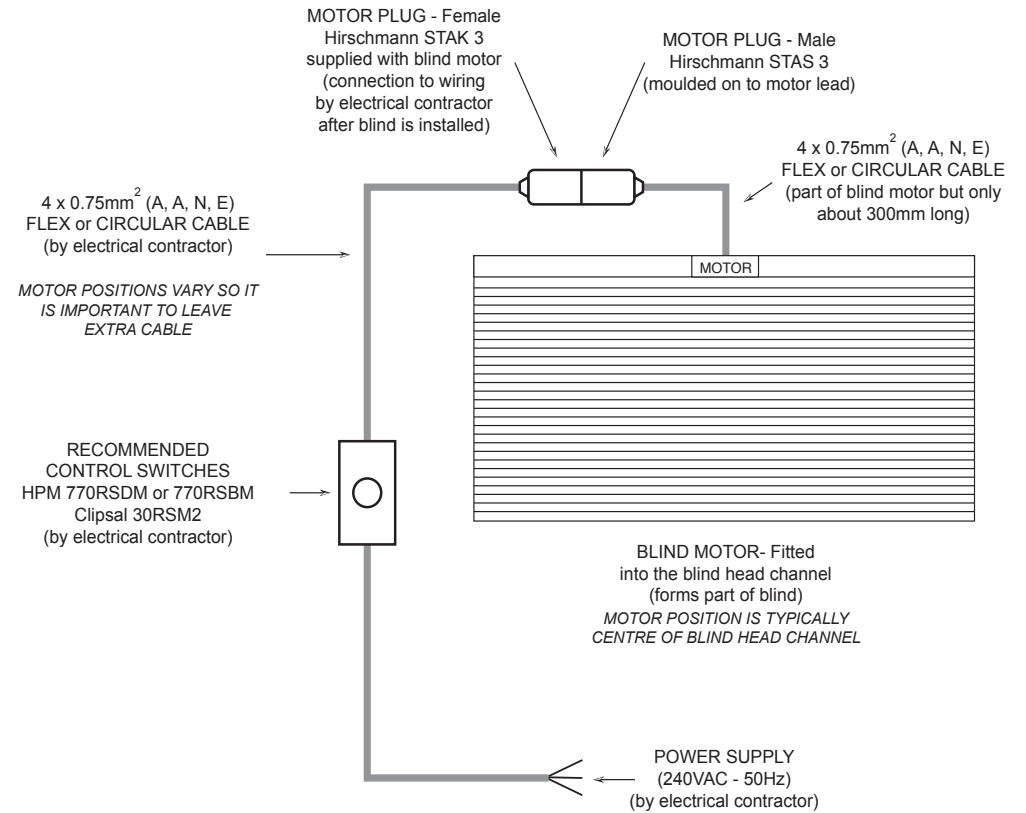
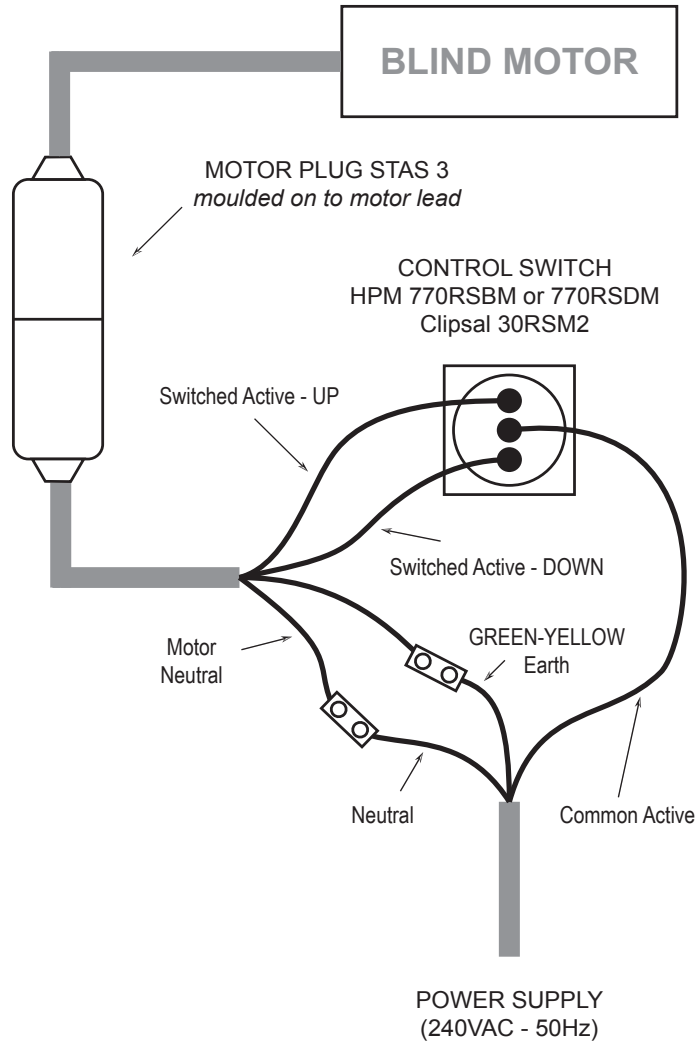
Section of Blind Allowance Dimensions
 Ref: VA0011a



Type 80a - External Venetian Blind

Single Motor to Single Switch - Wiring Diagram

Ref: VA9001a



IMPORTANT NOTE:
 Do not connect motors in parallel under any circumstances.
 Parallel connection will void any warranty and will cause an early
 life failure the venetian blind motor.