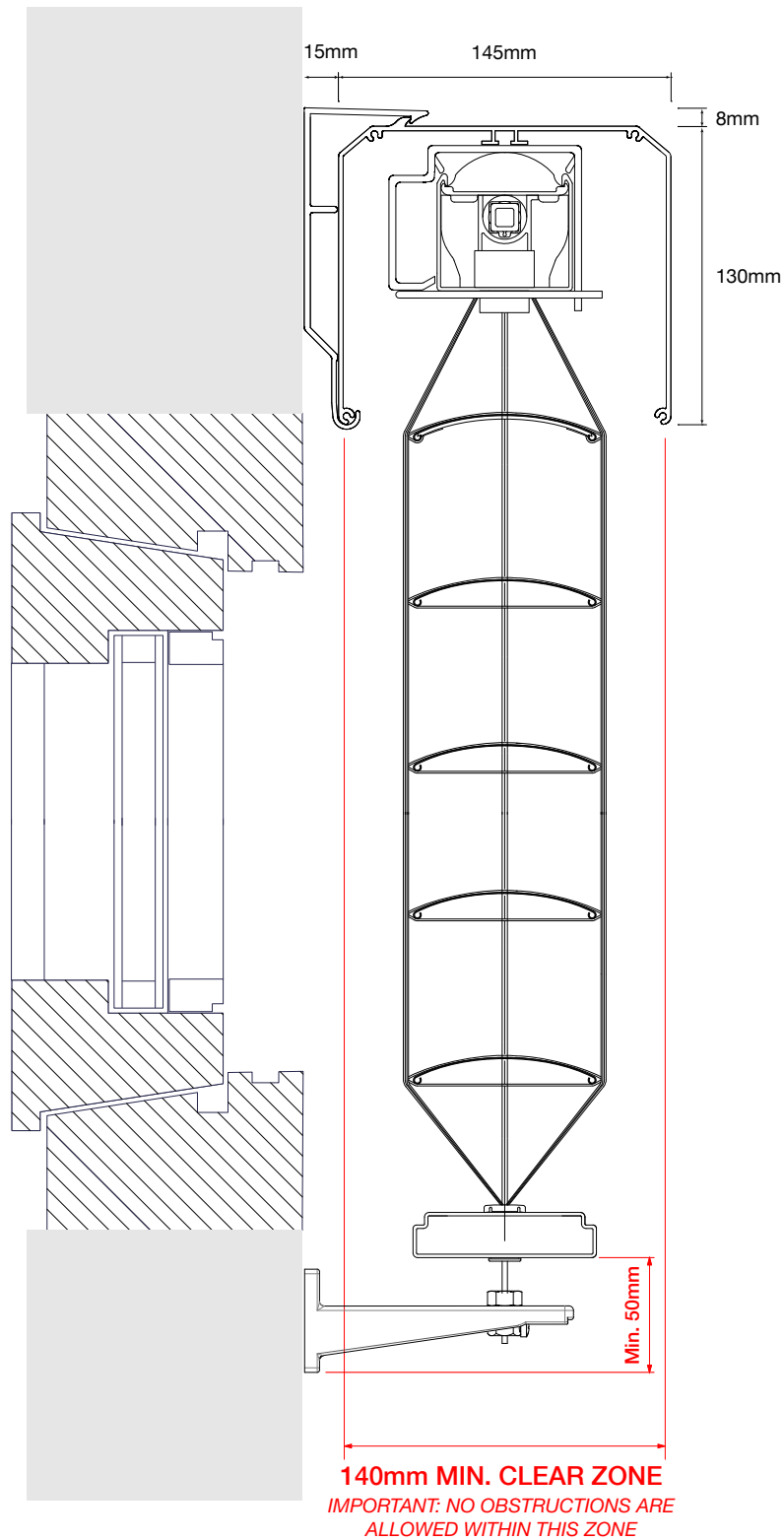


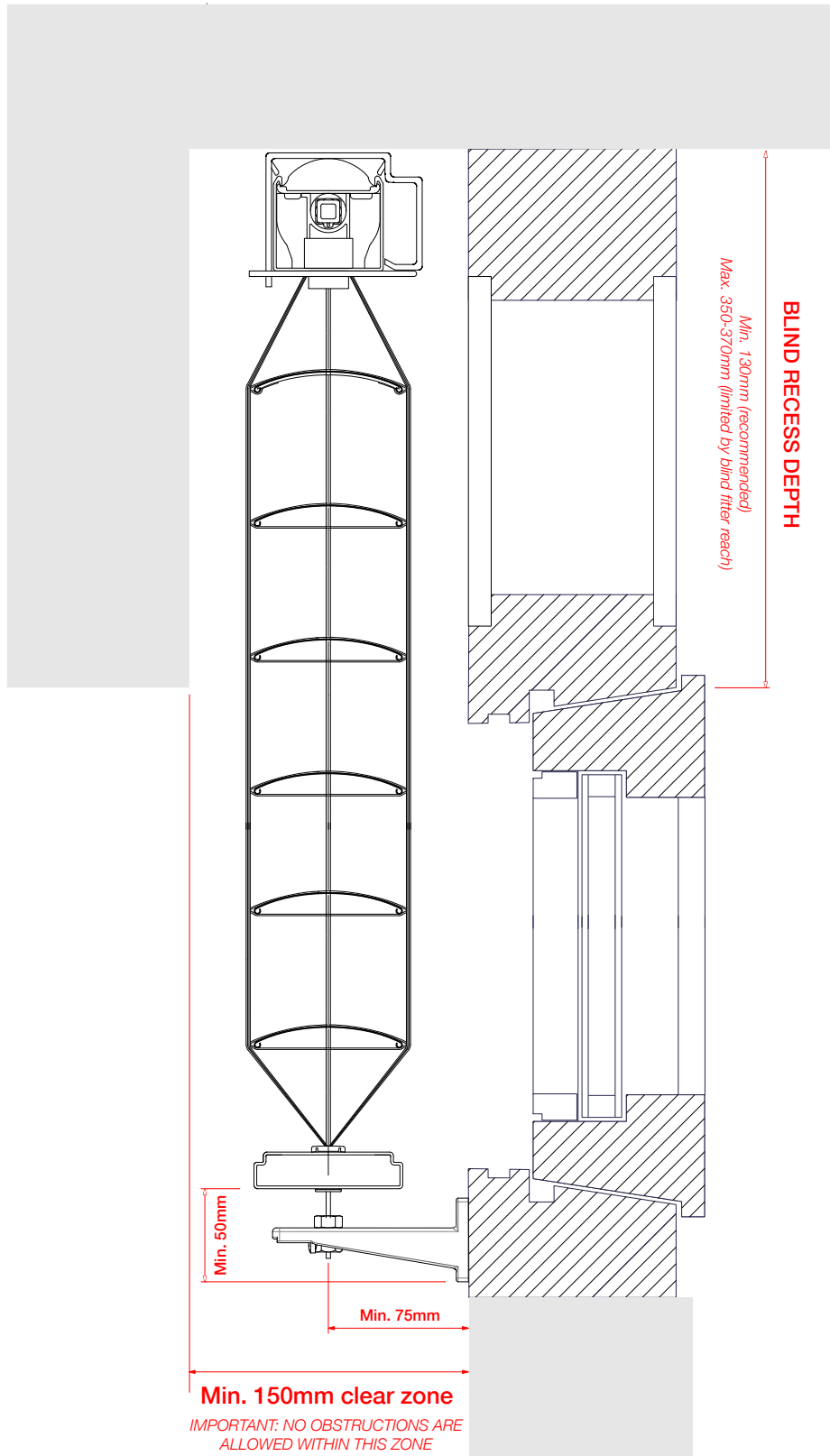
Type 80 (a2) - External Venetian Blind

Face Fitted Example with Cassette B Pelmet & Wire Guides
Ref: VA1001a



Type 80 (a2) - External Venetian Blind

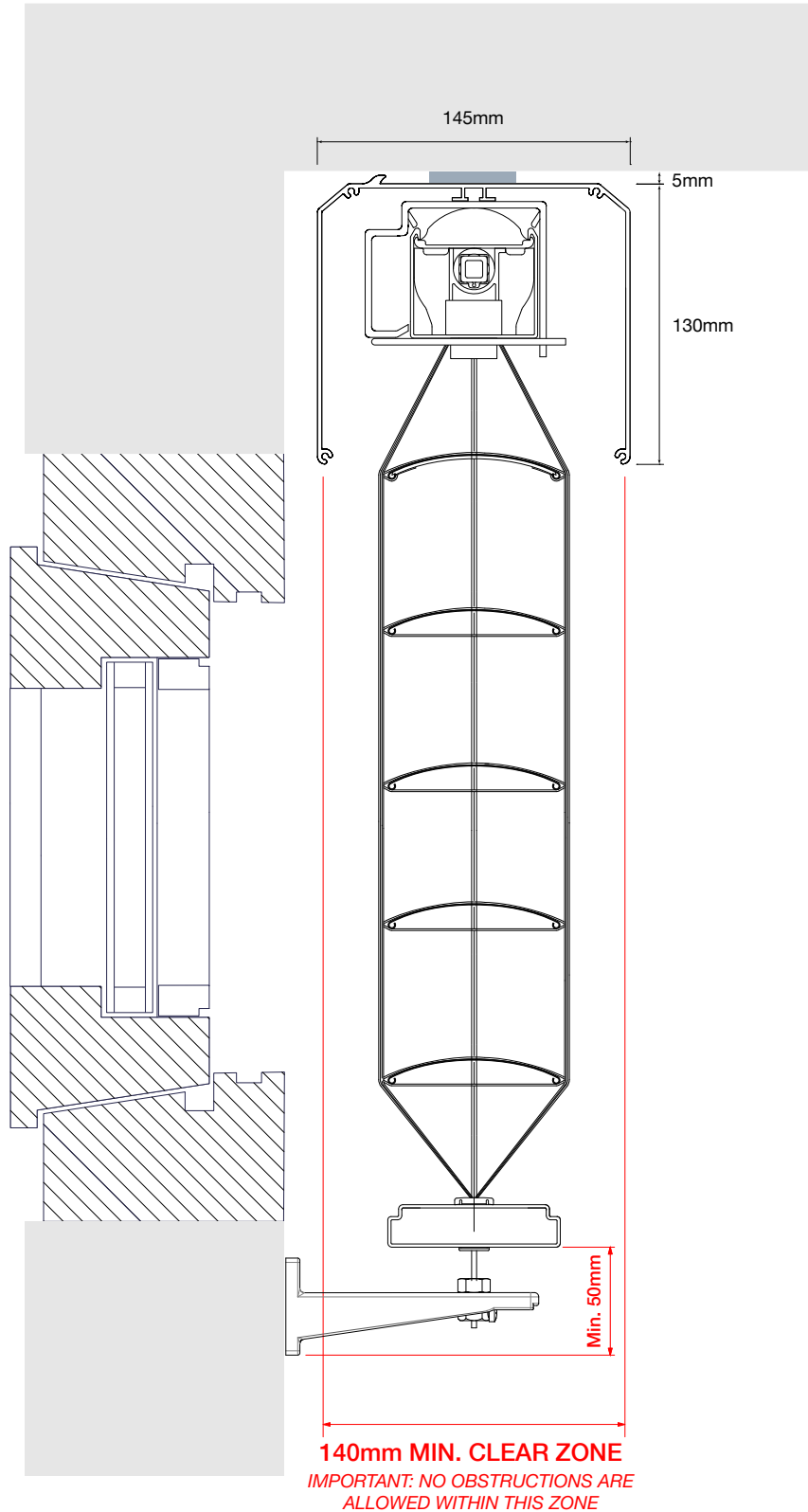
Recess Fitted Example with Wire Guides
Ref: VA1002a



Type 80 (a2) - External Venetian Blind

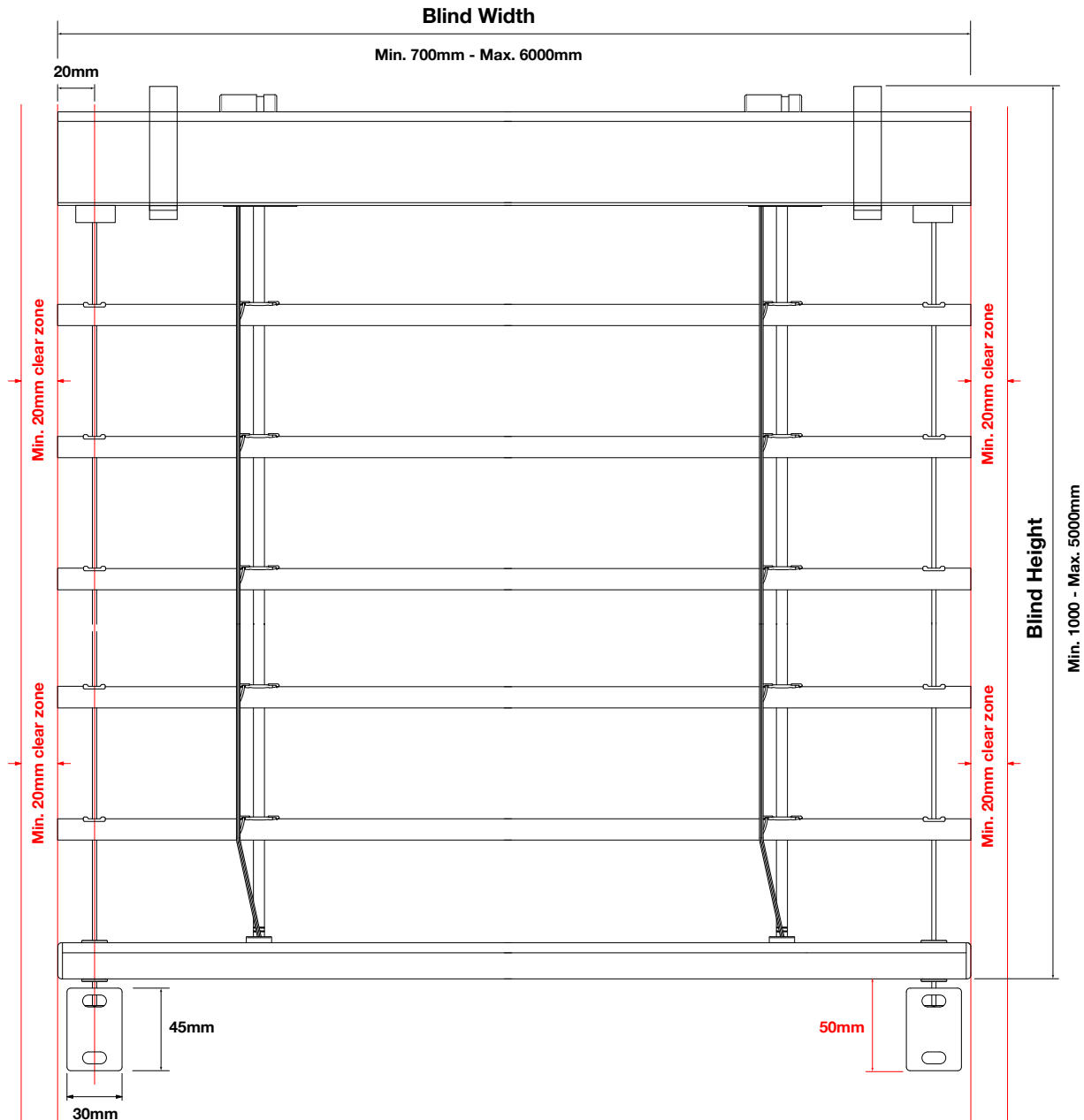
Top Fitted Example with Cassette B Pelmet & Wire Guides

Ref: VA1003a



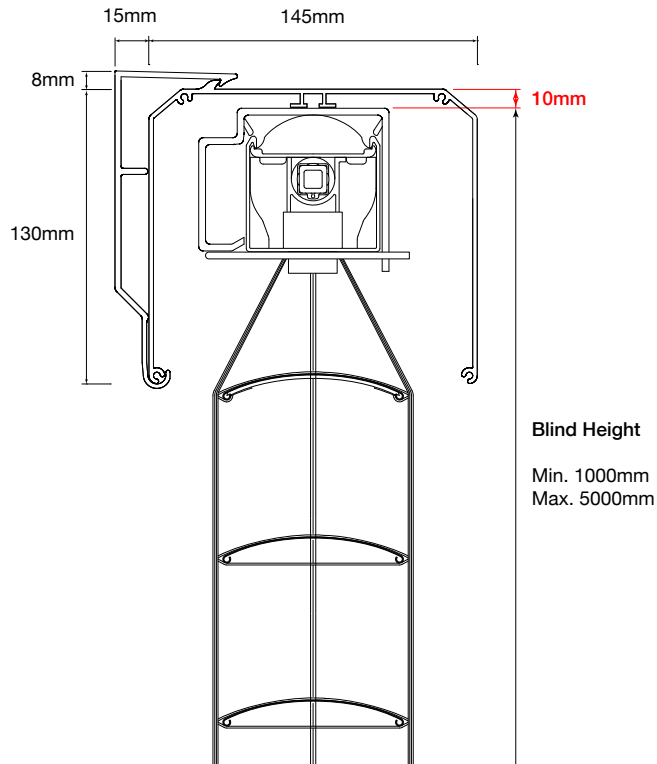
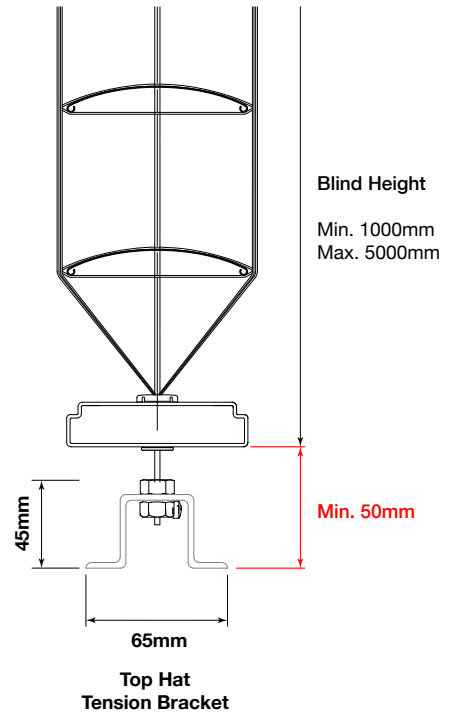
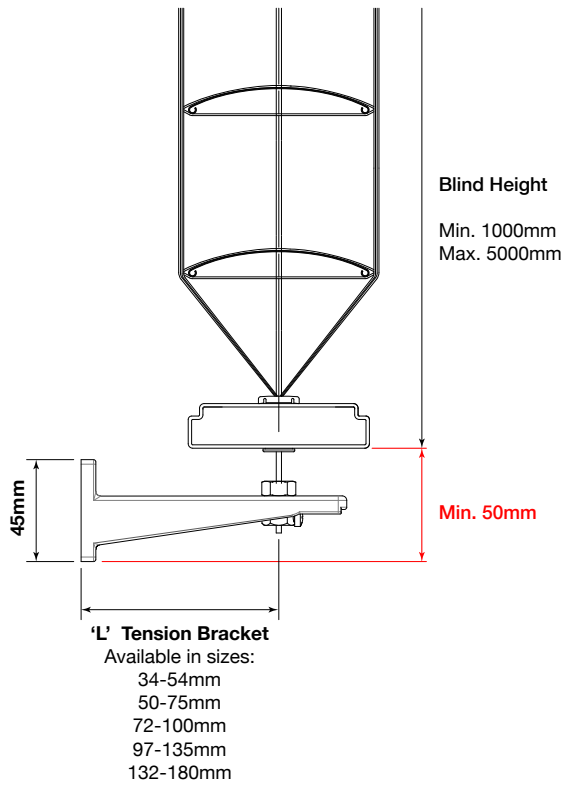
Type 80 (a2) - External Venetian Blind

Elevation of Blind Dimensions & Clearance Allowance
Ref: VA1010a



Type 80 (a2) - External Venetian Blind

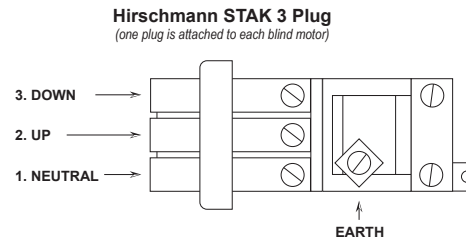
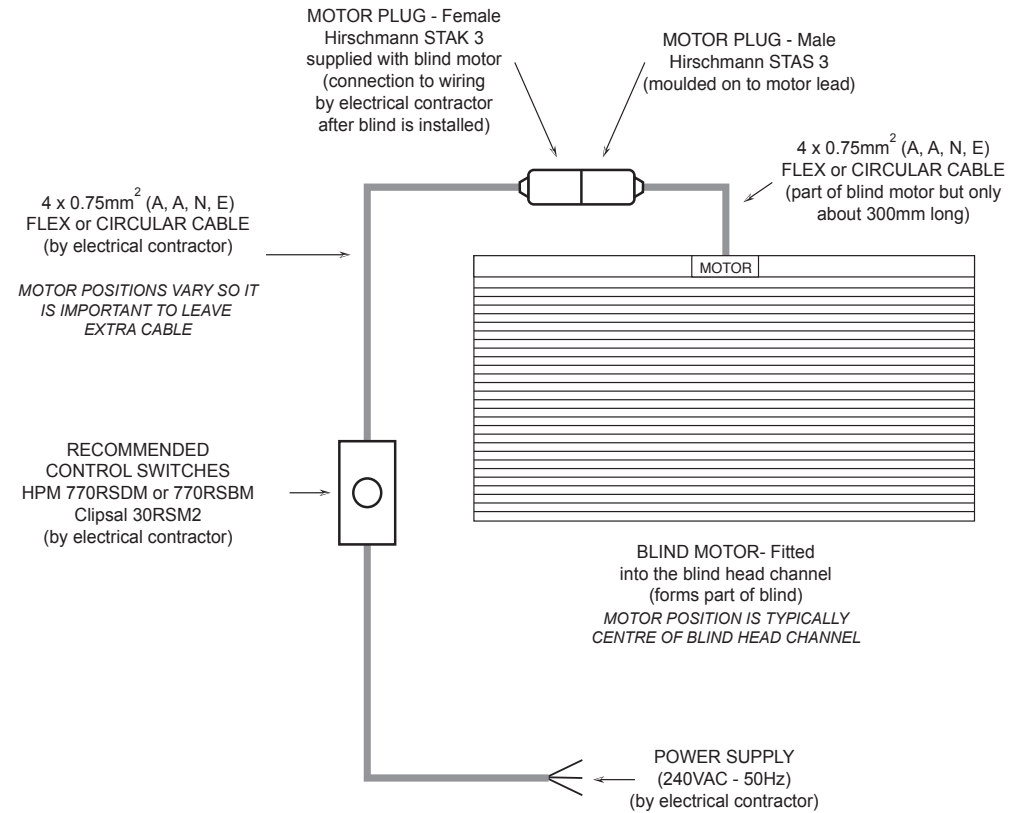
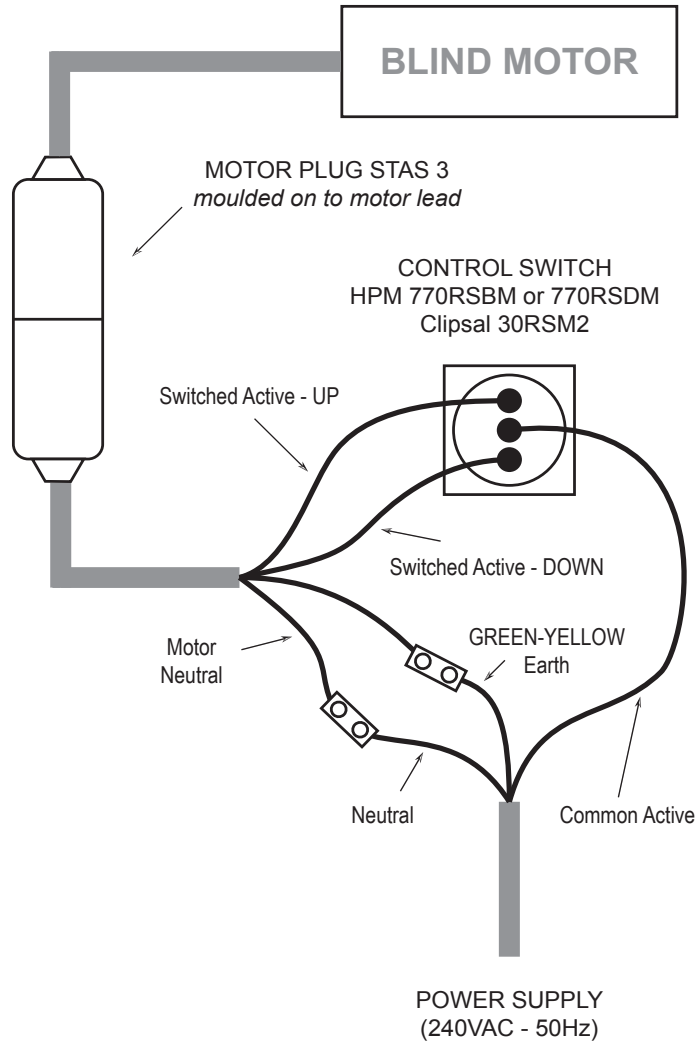
Section of Blind Allowance Dimensions
 Ref: VA1011a



Type 80a - External Venetian Blind

Single Motor to Single Switch - Wiring Diagram

Ref: VA9001a



IMPORTANT NOTE:
 Do not connect motors in parallel under any circumstances.
 Parallel connection will void any warranty and will cause an early life failure the venetian blind motor.